
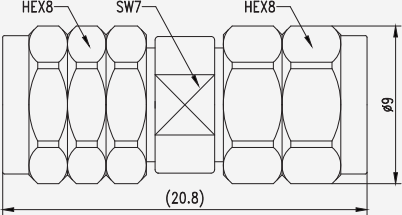

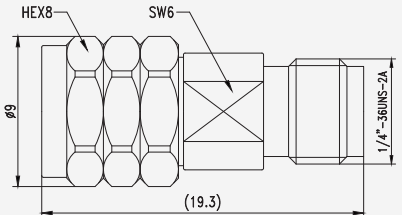

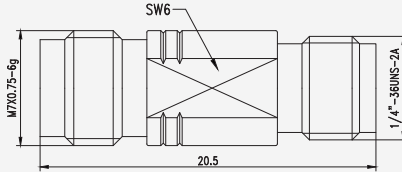


► 185/K series

Frequency(GHz)	40G	Material/Surface treatment	
Standing wave	1.15	Outer conductor	Stainless steel/deactivation
Durability	1000times	Inner conductor	Beryllium bronze/gold-plated
		Insulator	PEI

<p>185/K-JJG</p> 	
<p>185/K--JKG</p> 	
<p>185/K--KKG</p> 	
<p>185/K--KJG</p> 